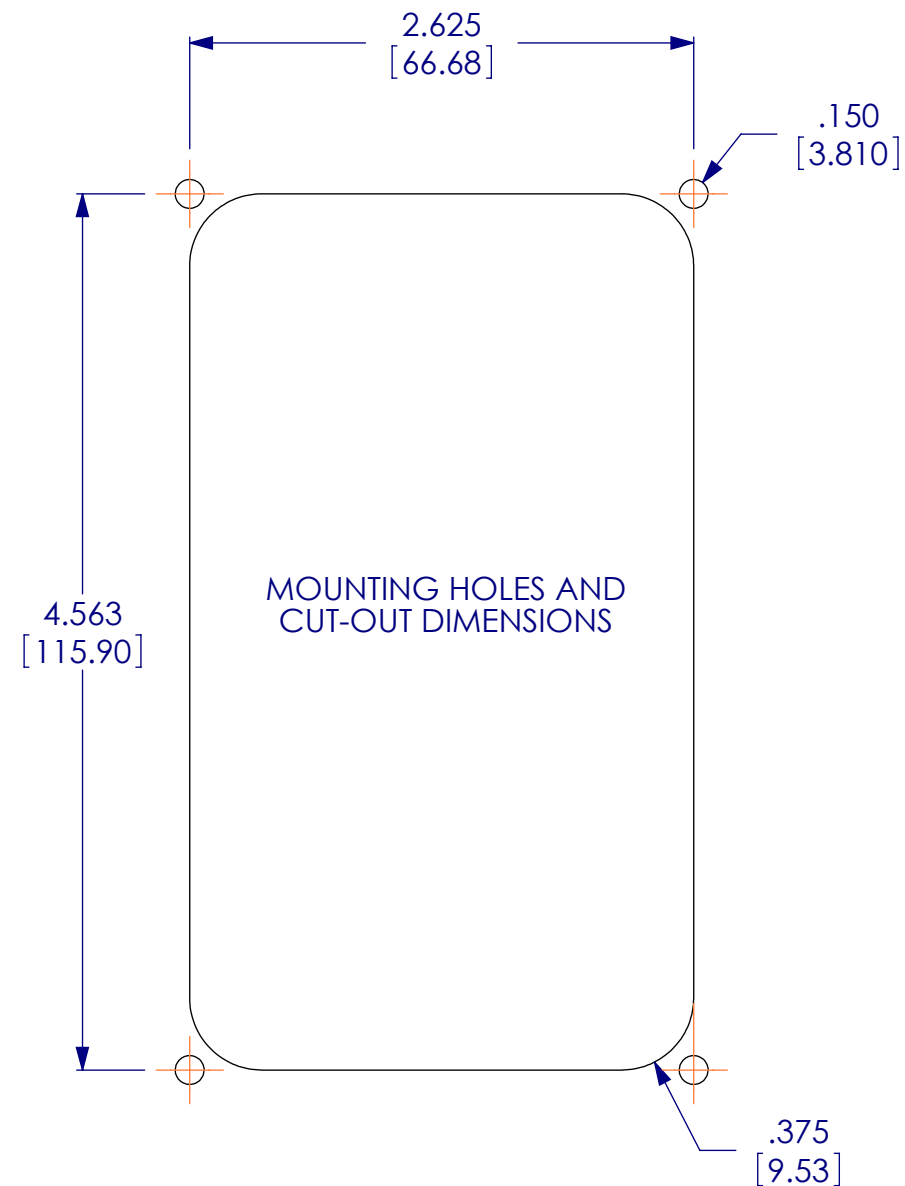
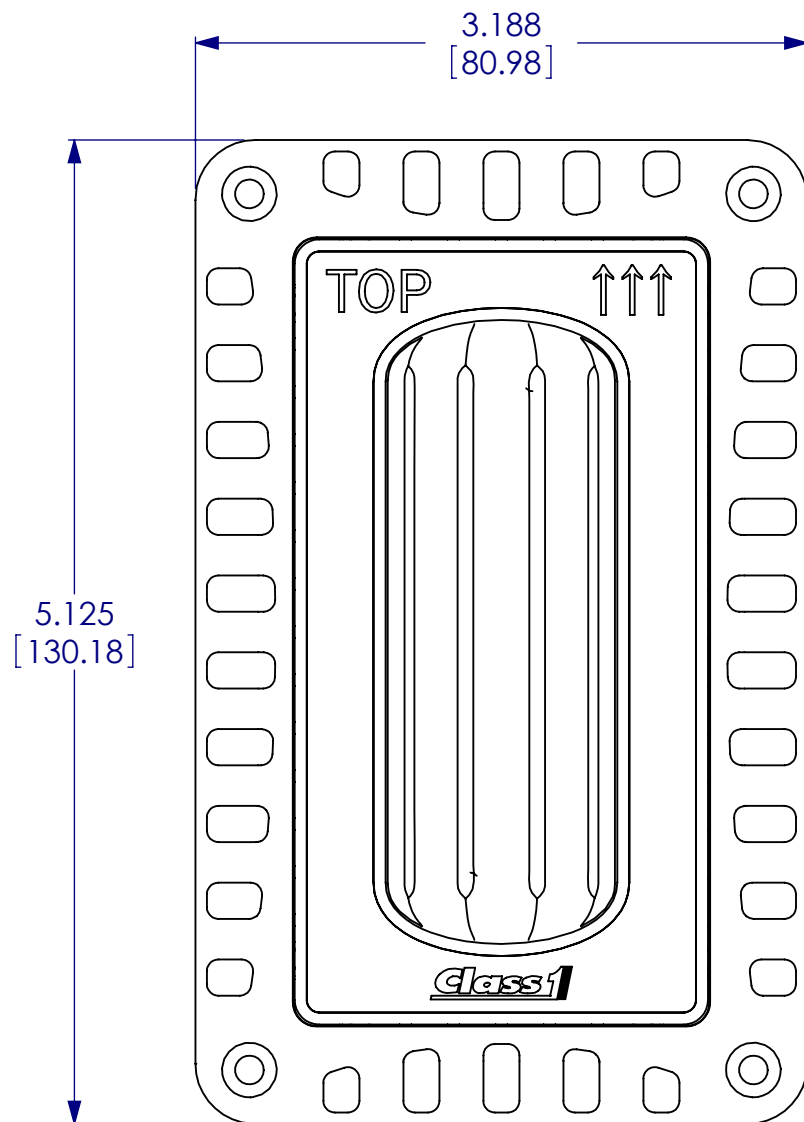


LABEL DIMENSIONS

Custom labels can be purchased through Label-Aid Systems Inc.  
 P.O. Box 550  
 104 Celtic Circle  
 Madison, AL 35758  
 256-772-9356

Reference Class1 tool #117691



MOUNTING HOLES AND CUT-OUT DIMENSIONS

Mating Connector: DT06-12SB	
Position	Circuit
1	POWER
2	CAN HIGH
3	CAN SHIELD
4	DIM INPUT
5	SENSOR REF +
6	SENSOR SIGNAL
7	SENSOR REF -
8	-
9	1-WIRE SIGNAL
10	1-WIRE GROUND
11	CAN LOW
12	GROUND

PART NUMBER MATRIX	
CLASS1 PART NUMBER	LED COLOR
118404-01	RED
118404-02	AMBER
118404-03	YELLOW
118404-04	GREEN
118404-05	BLUE
118404-06	2 R, 2Y, 2B, 2G

DRAWING NOTES:  
 1. ALL DIMENSIONS ARE IN INCHES  
 2. Do not scale drawing  
 3. Decimal Tolerance  
 X.XXX =  $\pm 0.01$   
 X.XXX =  $\pm 0.005$   
 4. Angle Tolerance .5 degrees.  
 5. Bracket dims are in millimeters.



This document and the information herein are the exclusive property of Class 1 and is loaned to you subject to return on demand, unless otherwise agreed to in writing by Class 1.

**Class1** A unit of **IDEX** CORPORATION  
 607 N.W. 27th Ave.  
 Ocala, Florida 34475  
 Phone: 352-629-5020  
 FAX: 352-629-2902

**SALES SHEET**  
**TANK LEVEL ITL-40**

CAGE IDENT. NO.	COMPLETED	DRAWN	CHECKED	APPROVED	PROJECT
06CG4	07/11/08	JB	GMC	AK	07-0425

SIZE <b>B</b>	DRAWING NUMBER <b>118404-XX</b>	REV -
SCALE 1:1		SHEET 4 OF 4

-	---	JB	08/21/08	Released
REV.	ECR	BY	DATE	DESCRIPTION