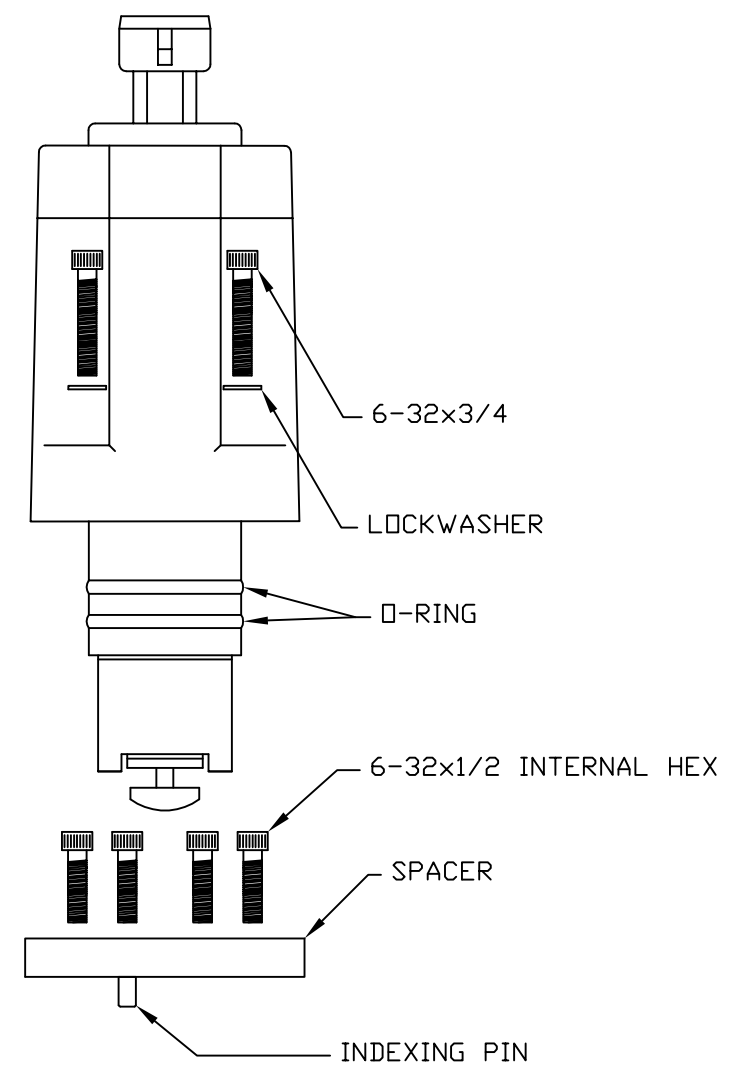
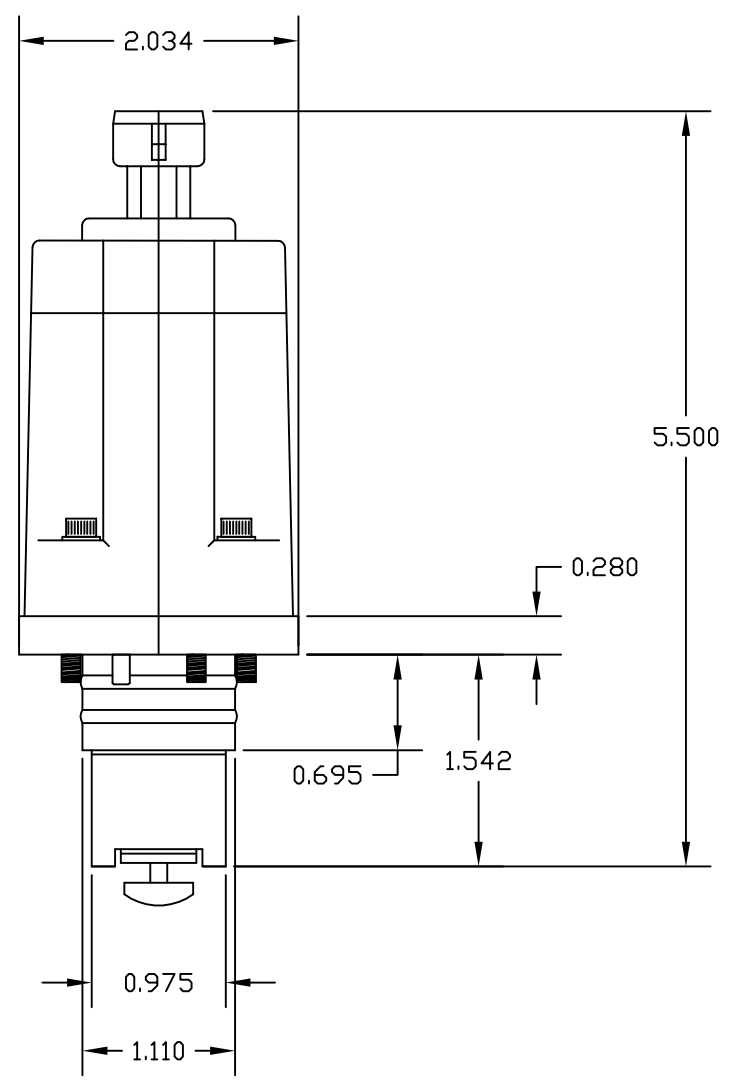


MATING CONNECTOR

CONN: PACKARD 12078090  
 TERM: PACKARD 12089290

POS	WIRE DESCRIPTION
A	SENSOR GROUND (BLK)
B	SENSOR +5 (RED)
C	SENSOR RETURN (WHT)



WATER FLOW TRANSDUCER CLASS 1 P/N 102714

MATERIAL:

HOUSING	GLASS REINFORCED POLYPHENYLENE SULFIDE (PPS)
O-RINGS	BUNA-N
IMPELLER	CAST 316 STAINLESS STEEL
SHAFT	TUNGSTEN CARBIDE
BEARINGS	ULTRA HIGH MOLECULAR WEIGHT POLYETHYLENE (UHF MWPE)

PRESSURE: AT 100 F°, WORKING: 250 PSI; PROOF: 300 PSI; BURST 600 PSI

TEMPERATURE: UP TO 210 F°

ACCURACY: TESTS PERFORMED BY VENDOR

POWER: 8 - 36VDC

PULSE OUTPUT: OPEN COLLECTOR TRANSISTOR WITH 5.6Kohm PULL-UP TO +5V.  
 MAXIMUM CURRENT SINKING = 25mA.

FOR INSTALLATION INSTRUCTIONS, SEE P/N 114634.

DRAWING NOTES:  
 1. ALL DIMENSIONS ARE IN INCHES  
 2. DO NOT SCALE DRAWING  
 3. DECIMAL TOLERANCE  
 X.XX = +/- .01  
 X.XXX = +/- .005  
 X.XXXX = +/- .0005  
 4. ANGLE TOLERANCE .5 DEG.

				A unit of 607 N.W. 27th AVE. Ocala, Florida 34475 Phone 352-629-5020 FAX 352-629-2902	
<b>SPECIFICATIONS PADDLEWHEEL FLOW METER</b>					
CAGE IDENT. NO.	COMPLETED	DRAWN BY	CHECKED	DPP	
06CG4	03/10/04	D.A.S.	--	--	
This document and the information hereon are the exclusive property of Class 1 and is loaned to you subject to return on demand, unless otherwise agreed to in writing by Class 1.		DRAWING NUMBER <b>102714</b>		REV <b>A</b> SHEET 1 OF 1	

REV	ECR	BY	DATE	DESCRIPTION
A	N/A	AJG	10/26/06	ADDED NOTE FOR 114634; CHANGED O-RING MATERIAL; ADDED 5.6Kohm SPECIFICATOIN FOR PULSE OUTPUT